



# Kyla Indoor Dome IP Camera

## Key Features:

- 3.3mm/4mm fixed lens
- 0.01 Lux (F2.0/F1.6, AGC ON), 0 Lux with IR (20m)
- H.265, H.264, MJPEG codec support, Multiple streaming



Day & Night Conversion



ONVIF Compliant (Profile S,T,G)



127°/109°  
AOV



DWDR



2MP & 4MP Video Resolution



Plug and Play Installation

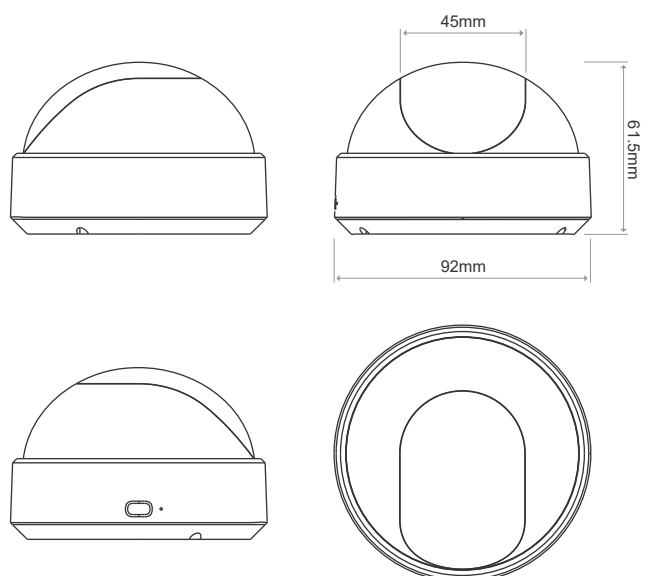


Data Encryption



WiFi

<b>KYLA-VS-2DIP-WH</b>	Kyla 2MP PoE Dome Indoor IPC
<b>KYLA-VS-4DIP-WH</b>	Kyla 4MP PoE Dome Indoor IPC
<b>KYLA-VS-4DIW-WH</b>	Kyla 4MP Wi-Fi Dome Indoor IPC



# KYLA-VS-2DIP

Product Parameters				
Sensor	1/2.7", 2.0 megapixel, progressive scan, CMOS (GC4023)			
Lens	3.3 mm			
DORI Distance	Detect (m)	Observe (m)	Recognize (m)	Identify (m)
	55	22	10.5	5.5
Angle of View (H)	105°			
Angle of View (V)	55°			
Angle of View (D)	127°			
Adjustment Angle	Pan: 0° ~ 90°    Tilt: 0° ~ 70°    Rotate: 0° ~ 260°			
Shutter	Auto/Manual, 1 ~ 1/1000000s			
Minimum Illumination	Colour : 0.01Lux ( F2.0, AGC ON) 0Lux with IR			
Day/Night	IR - cut filter with auto switch (ICR)			
Digital noise reduction	2D/3D DNR			
S/N	Max 50dB			
IR Range	Up to 20m (66ft) IR range			
Wavelength	850nm			
IR On/Off Control	Auto / Manual			
Defog	Digital Defog			
WDR	DWDR			
Video				
Video Compression	H.265, H.264			
H.264 code profile	Baseline Profile			
Frame Rate	Main Stream: 1080P(1920*1090), 720P(1280*720), 360P(640*480) @30fps Sub Stream: 540P(720*540), 360P(640*360), 320P(560*320) Max 30fps			
Video Bit Rate	128 Kbps~16 Mbps			
OSD	Up to 2 OSD (Timestamp and Channel Name)			
Privacy Mask	One area			
Motion Detection	Support			
Audio				
Built - in Microphone	NIL			
Image				
White Balance	Auto			
Digital noise reduction	2D/3D DNR			
Flip	Normal / 180°			
HLC	Support			
BLC	Support			
Smart / Intelligent				
Detection	Motion Detection, Tampering			
Network				
Protocols	IPv4, ICMP, ARP, TCP, UDP, DHCP, RTP, RTSP, RTCP, RTMP, DNS, NTP, FTP, UPnP, HTTP, SSL			
Compatible Integration	ONVIF (Profile S, Profile T)			
Web Browser	Chrome, Microsoft Edge			
Interface				
Network	10/100M Base - TX Ethernet			
Certifications				
Certifications	CE : EN 62368-1, EN 62471, EN 55032, EN 55035 FCC : Part 15B			
General				
Power	PoE (IEEE 802.3af) Power consumption: Max 5.0W			
Dimensions (L x W x H)	Φ70.6mm x 206.8mm			
Net Weight	220g			
Material	Polycarbonate			
Working Environment	Operating Temperature: -20°C ~ 50°C Operating Humidity: ≤ 95% RH (non-condensing)			